



FritsJurgens®

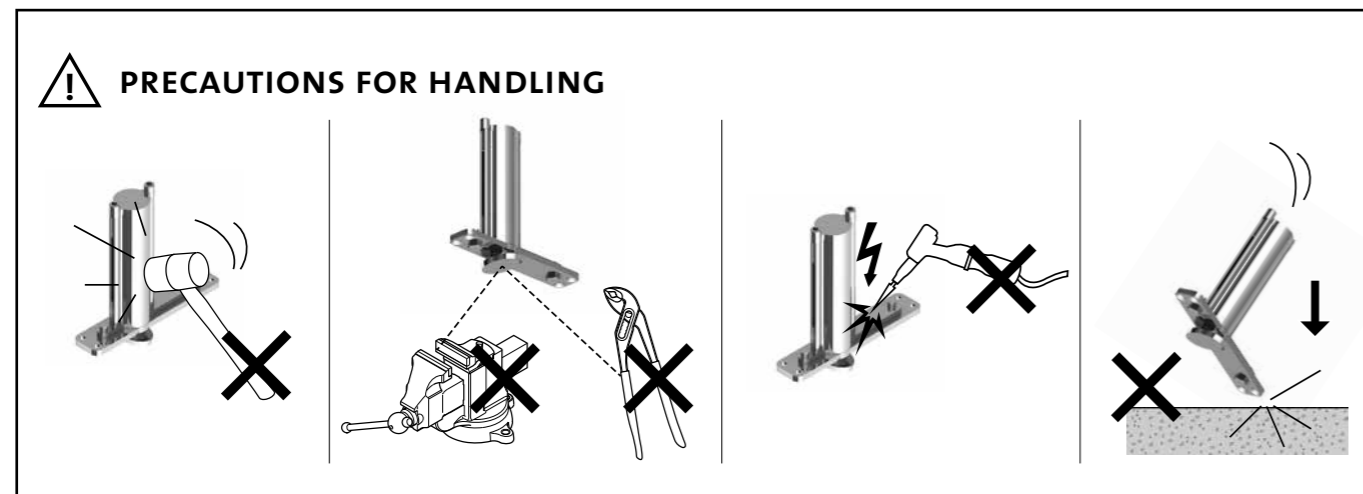
FritsJurgens Pivot Door System

System3

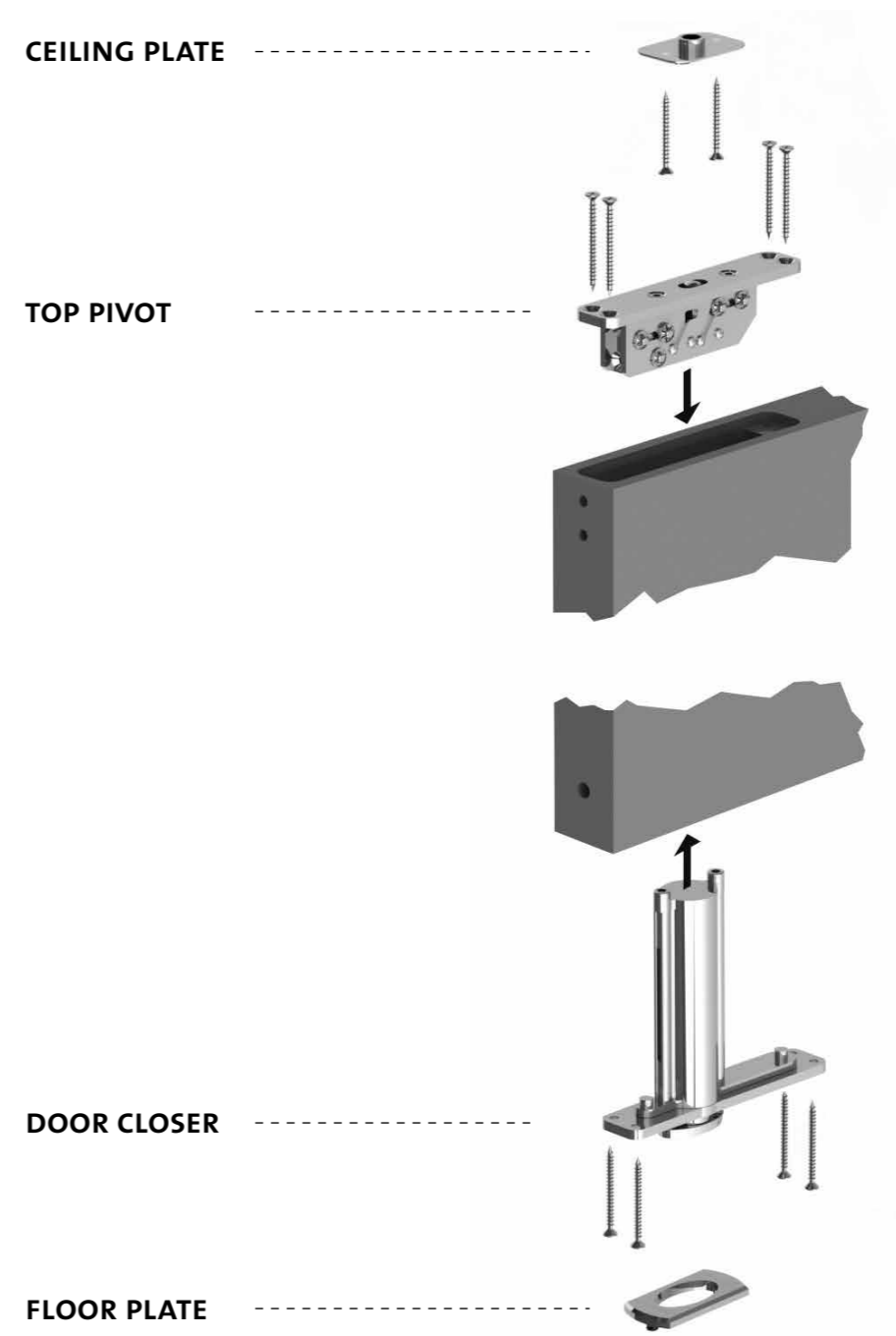
MOUNTING MANUAL
2015-06

INDEX

SITUATION	3
MILLING DRAWING	4
COMPONENTS	6
MANUAL	8



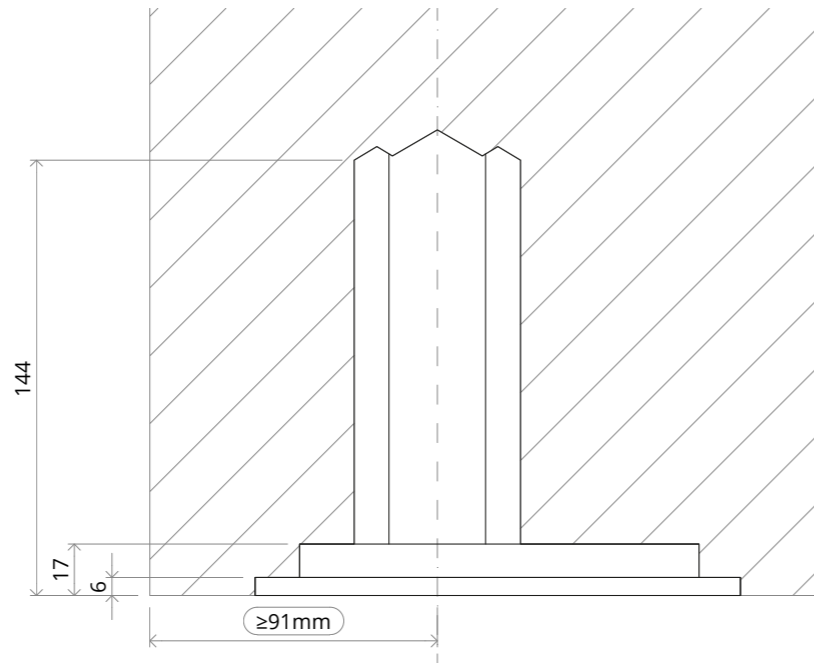
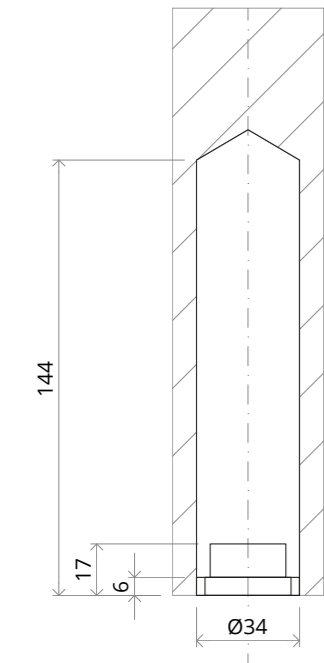
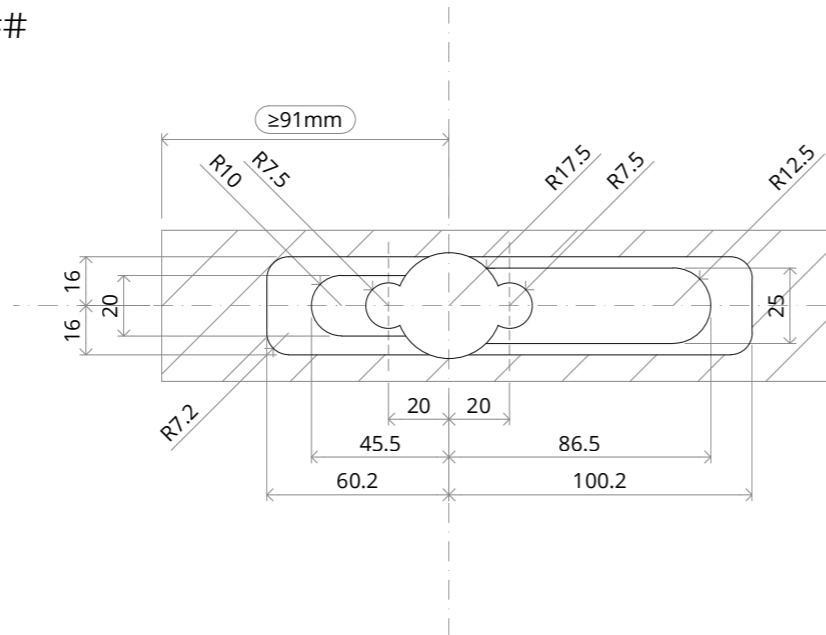
SITUATION



MILLING DRAWING

DOOR CLOSER

FRITSJURGENS MPDS-S80 RVS 90##

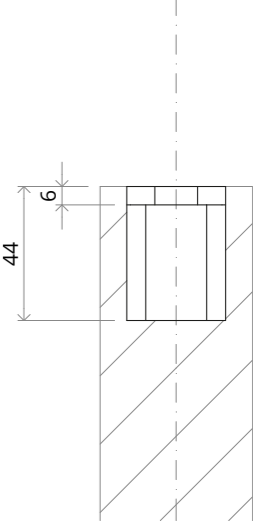
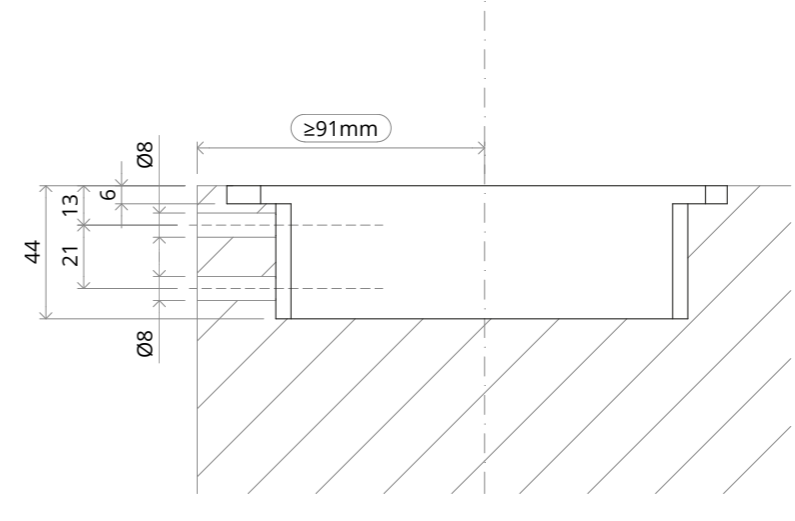
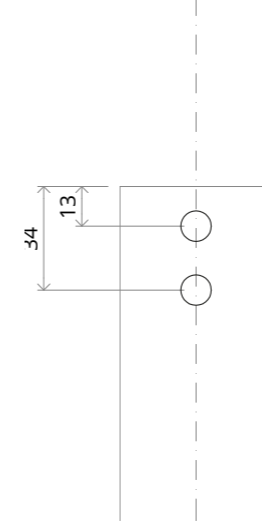
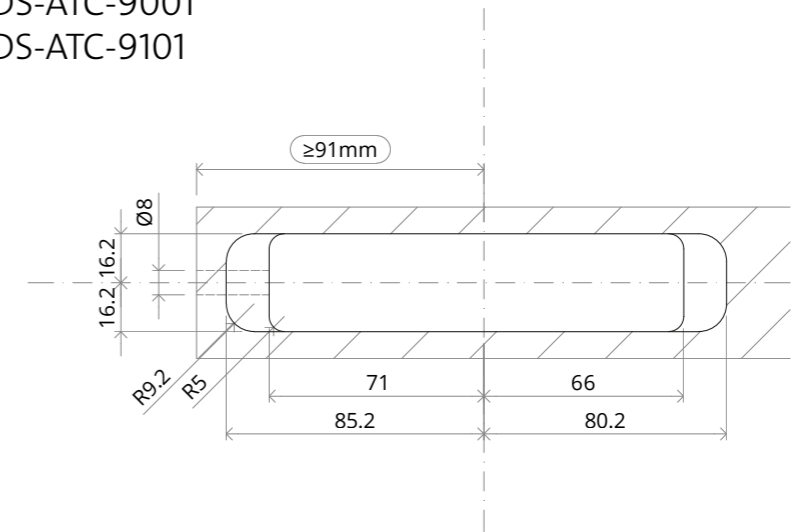


MILLING DRAWING

TOP PIVOT

FRITSJURGENS MPDS-ATC-9001

FRITSJURGENS MPDS-ATC-9101



COMPONENTS



DOOR CLOSER

FRITSJURGENS MPDS-S80 RVS 9016
FRITSJURGENS MPDS-S80 RVS 9020
FRITSJURGENS MPDS-S80 RVS 9024
FRITSJURGENS MPDS-S80 RVS 9028

	9016	= ≥ 650mm		9016	= ≤ 40kg
	9020	= 650 - 800mm		9020	= ≤ 70kg
	9024	= 800 - 1000mm		9024	= ≤ 110kg
	9028	= 1000 - 1500mm		9028	= ≤ 200kg



TOP PIVOT

FRITSJURGENS MPDS-ATC-9001
FRITSJURGENS MPDS-ATC-9101 *

* Part deviates from picture



FLOOR PLATE

FRITSJURGENS VP 80x40-B11 RVS
FRITSJURGENS VPR 80-B01 RVS *
FRITSJURGENS VP 82x52-B01 RVS *

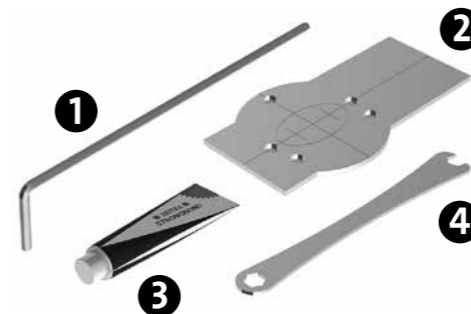
* Part deviates from picture



CEILING PLATE

FRITSJURGENS PP 40x60-B11 RVS
FRITSJURGENS PPR 80-B01 RVS *
FRITSJURGENS PP 40x60-B9101 *

* Part deviates from picture

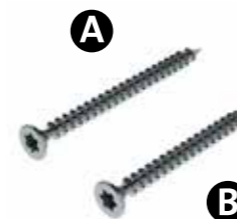


MOUNTING PACKAGE

FRITSJURGENS MP F-M SERIES

1. Allen wrench
2. Fitting template
3. Fitting adhesive *
4. Adjustment spanner

* For bro's floors use chemical mortar



SCREWS

FRITSJURGENS FASTENING

- A. Screw 6 x 60 RVS (2x)
B. Screw 4 x 50 RVS (8x)

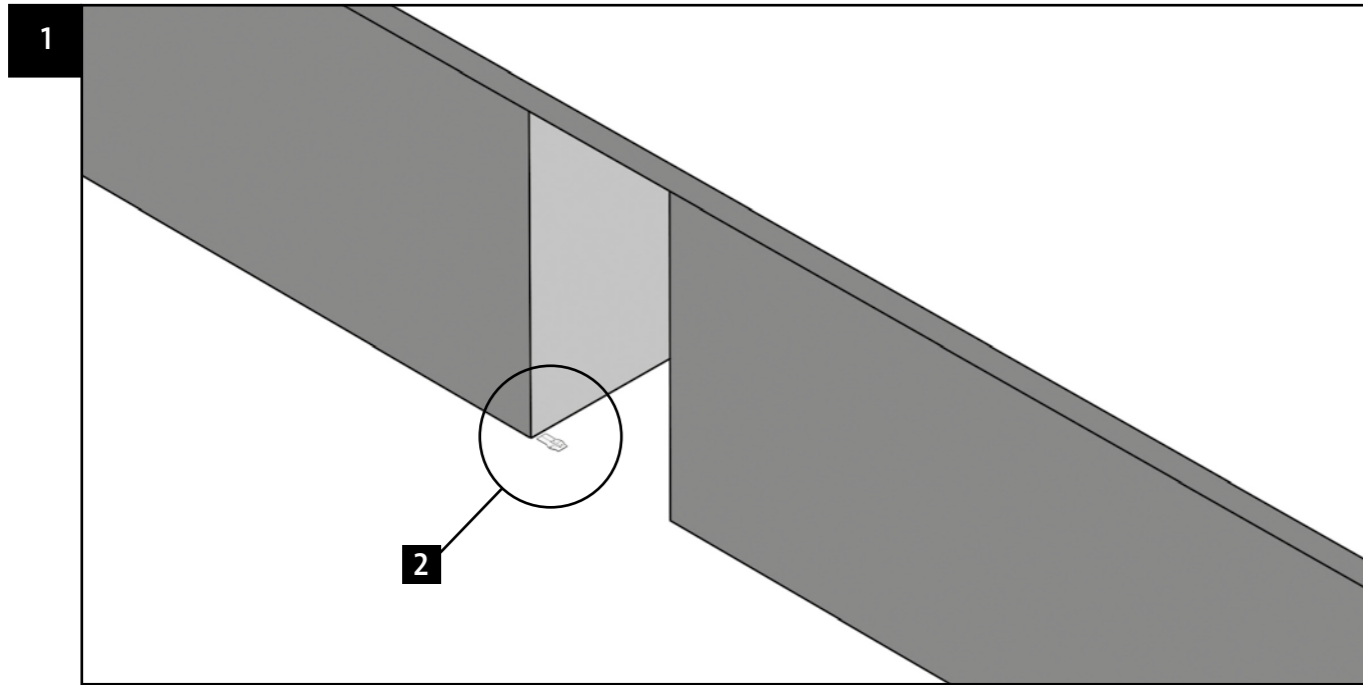


IMAGE FJ01

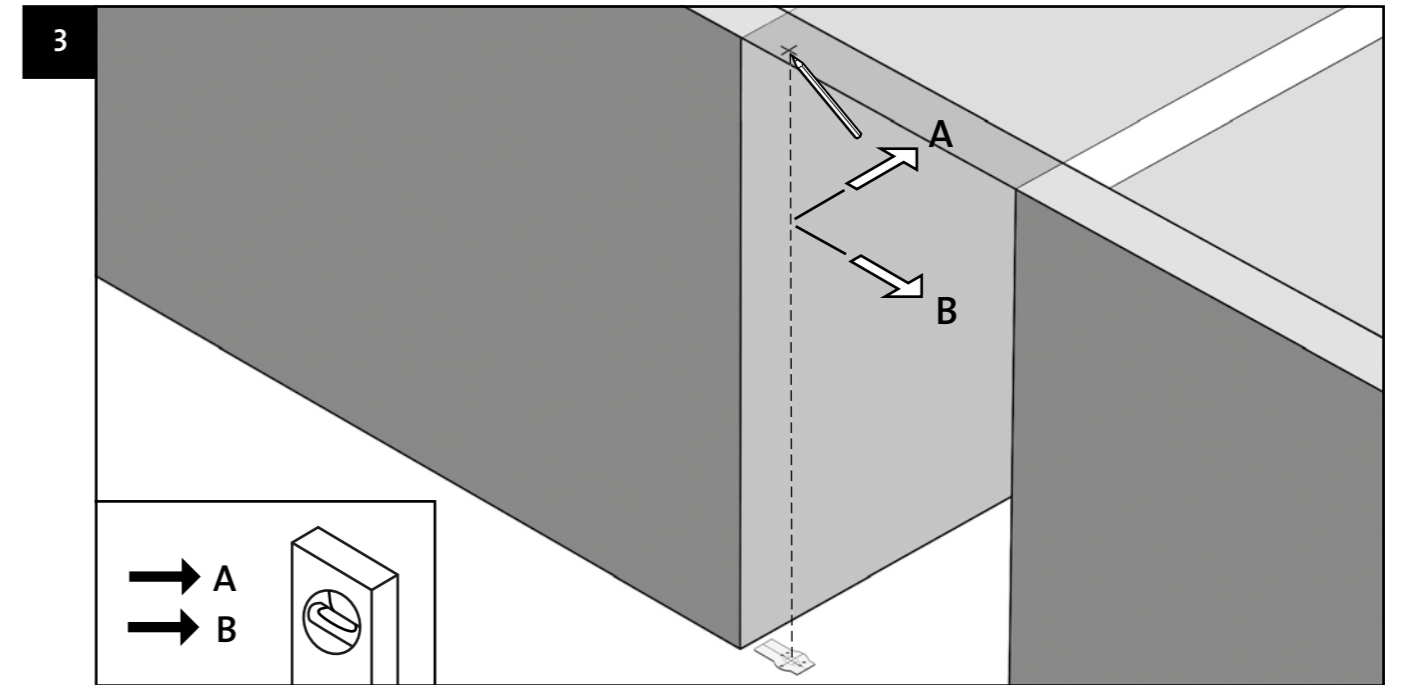


IMAGE FJ03

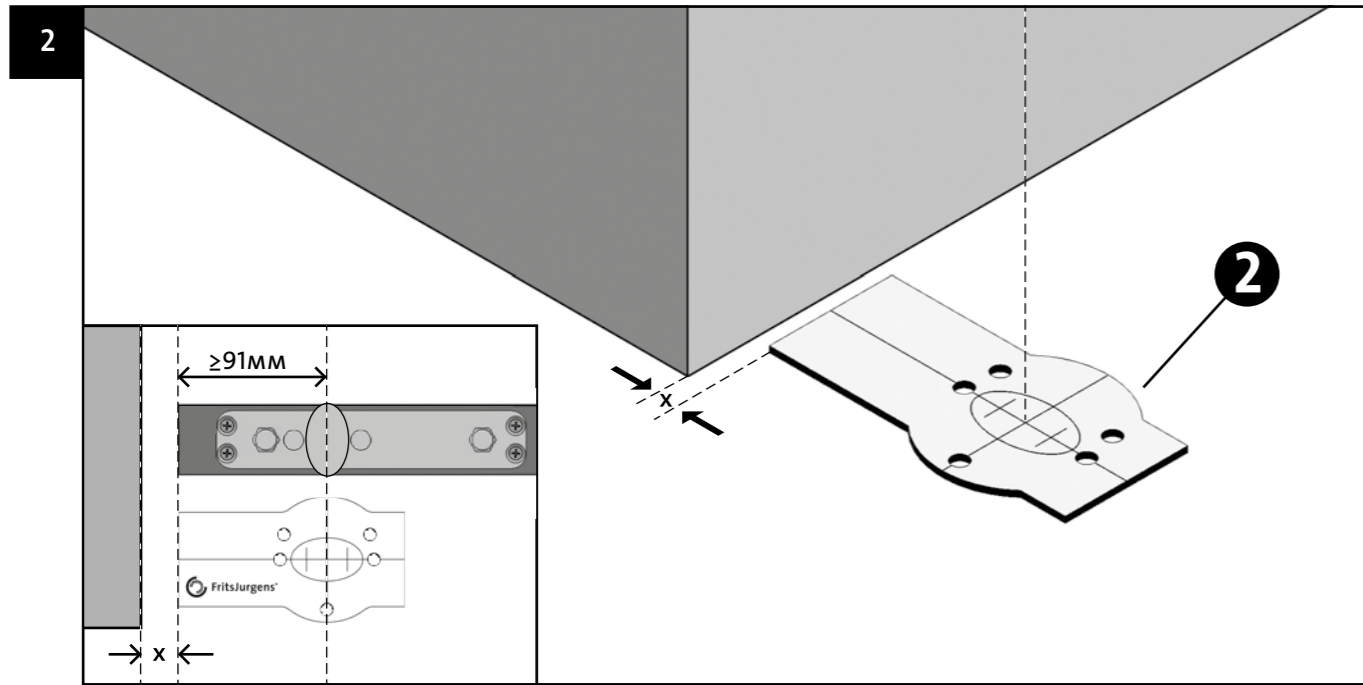


IMAGE FJ02

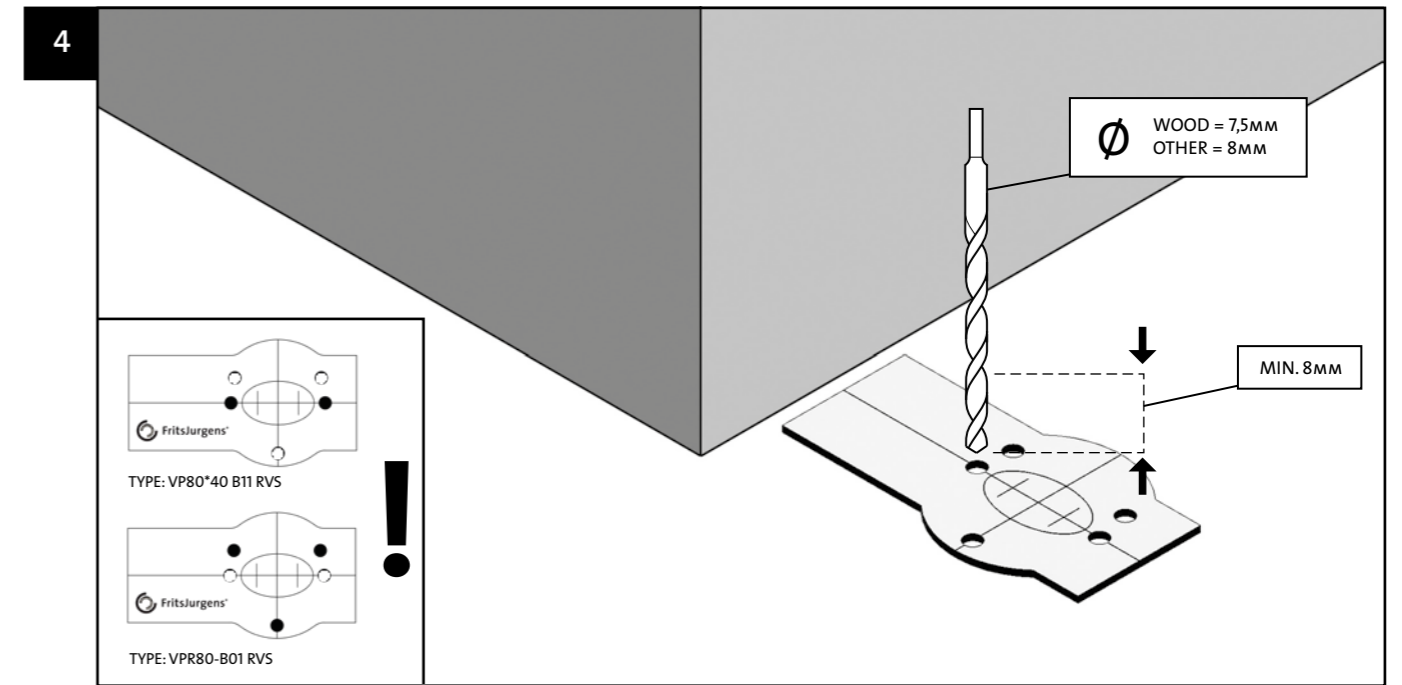


IMAGE FJ04

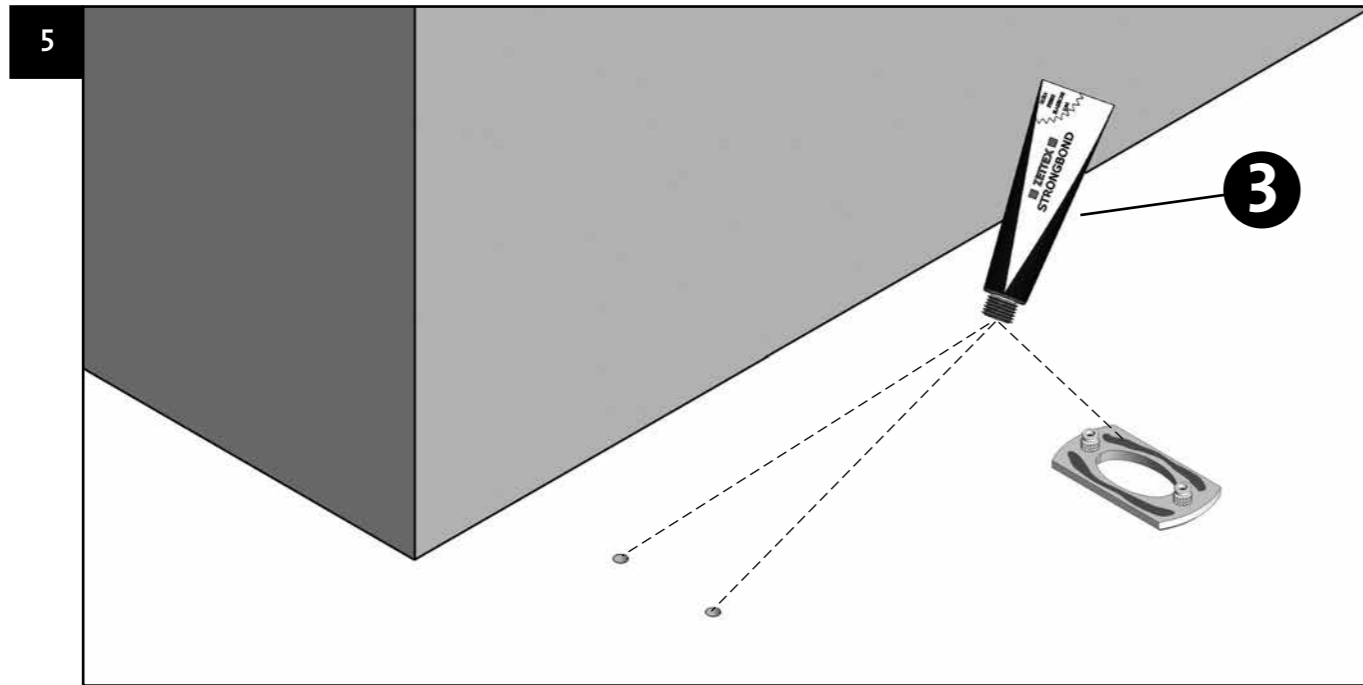


IMAGE FJ05

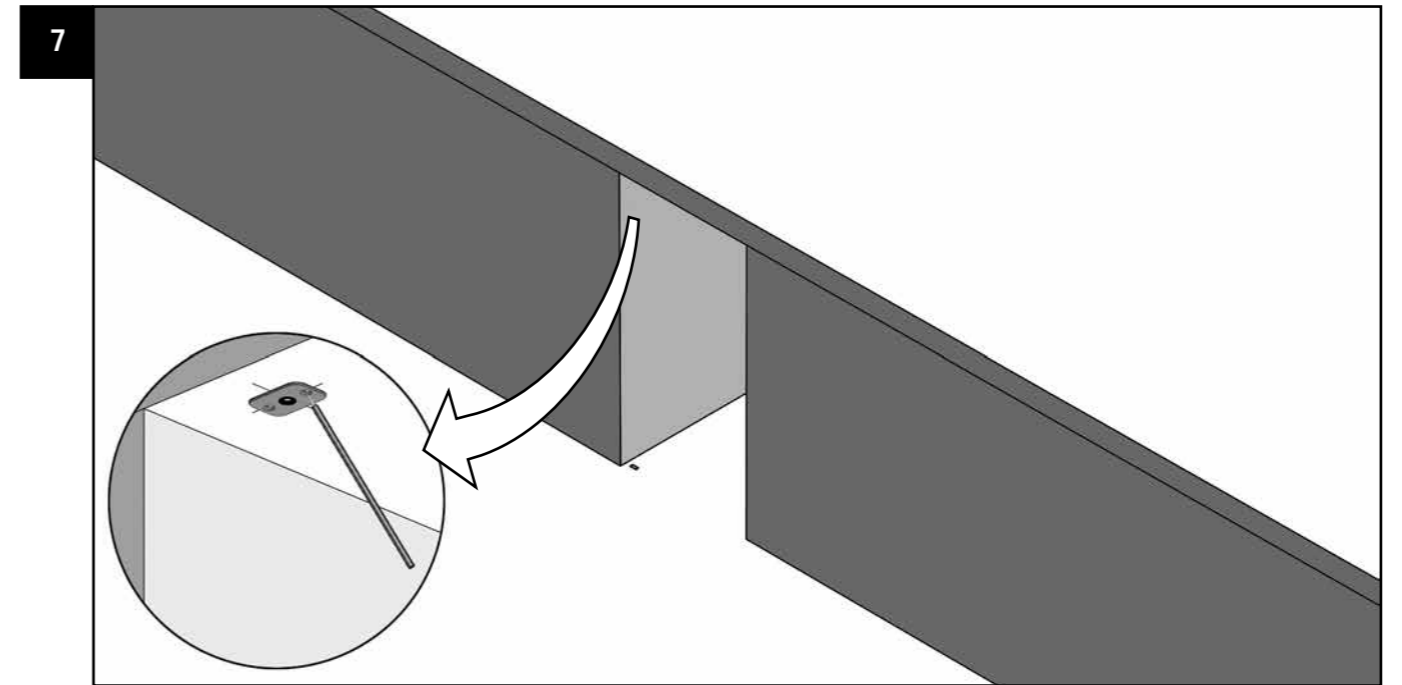


IMAGE FJ07

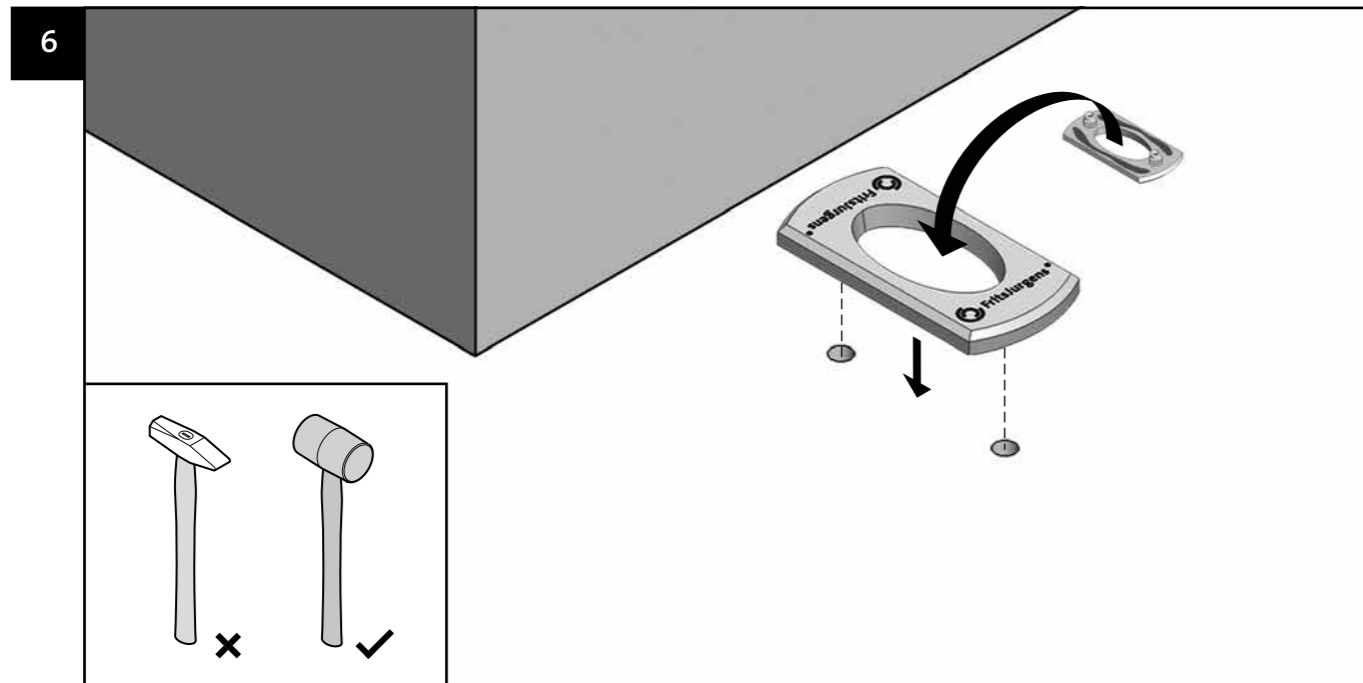
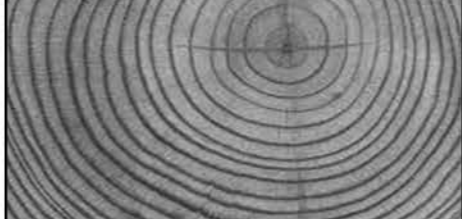

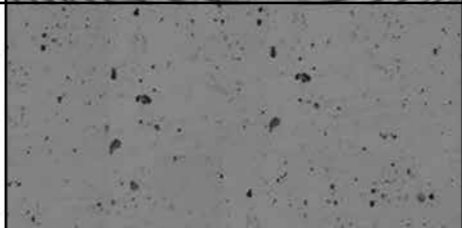






IMAGE FJ06

8	WOOD		 A
	STONE		*  +  A
	STEEL		*  M5

* EXCL.

IMAGE FJ08

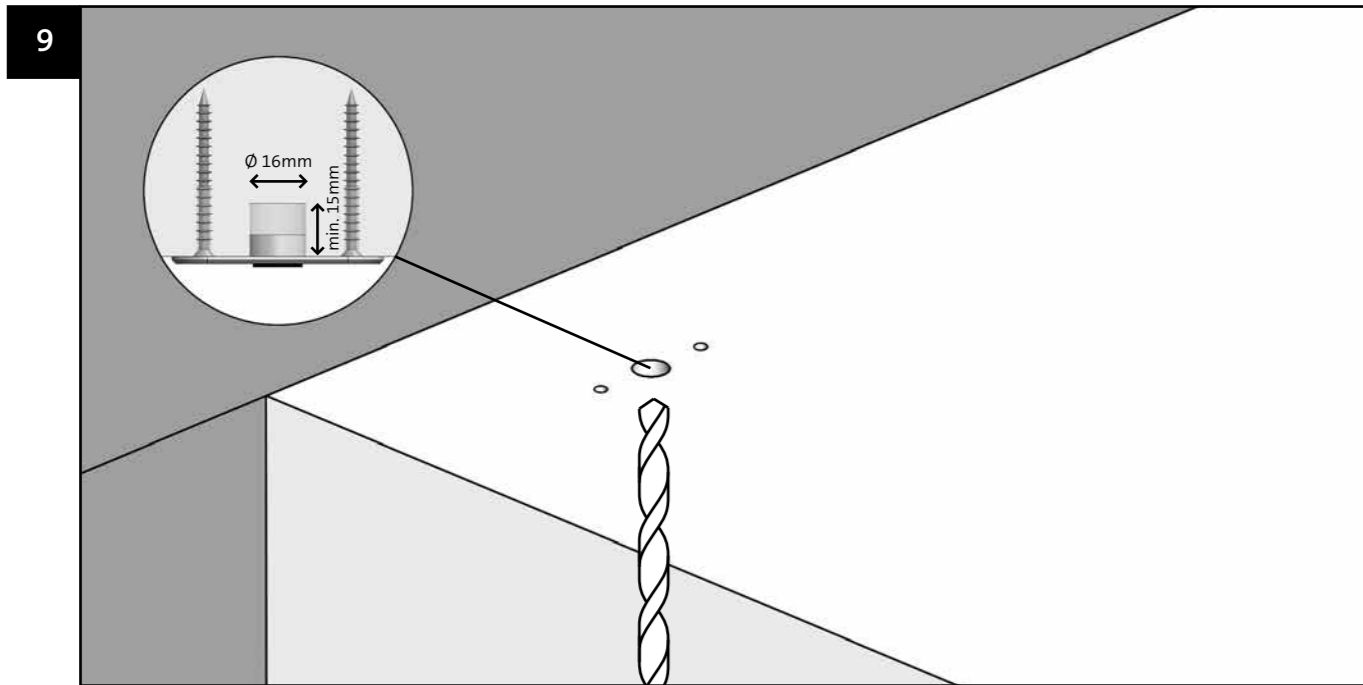


IMAGE FJ09

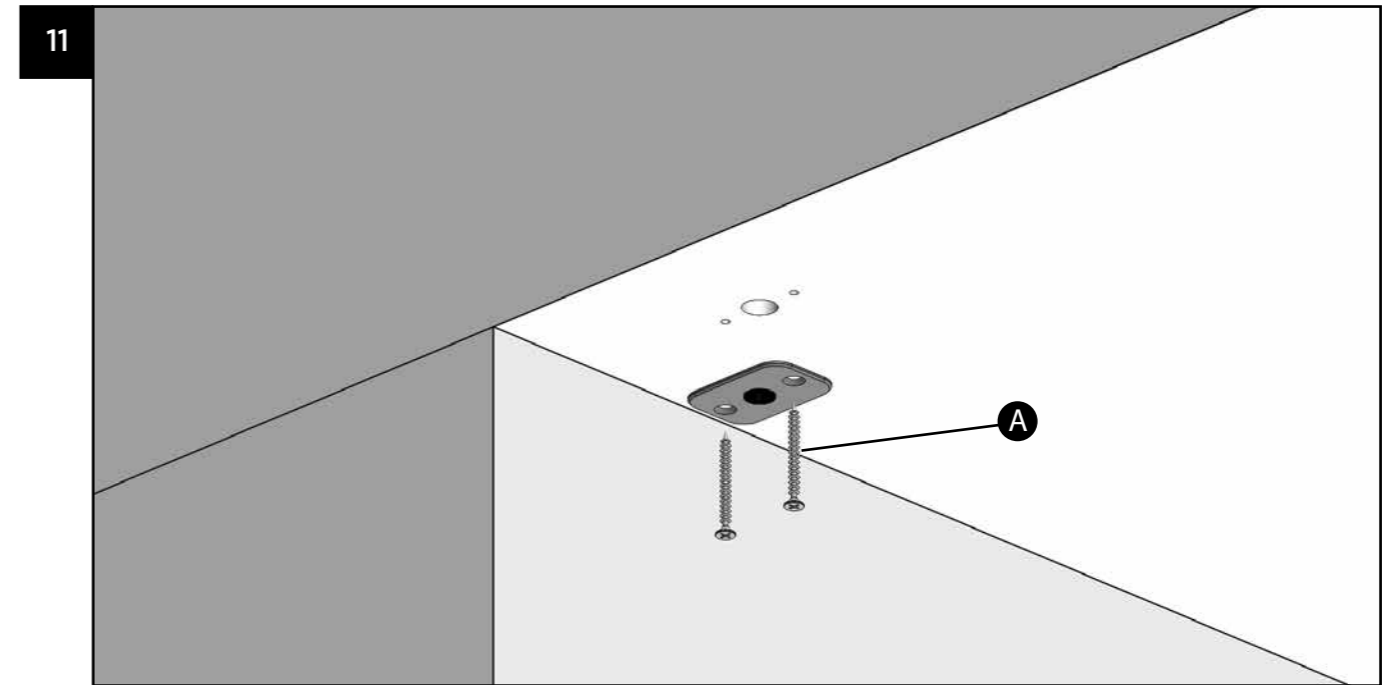


IMAGE FJ11

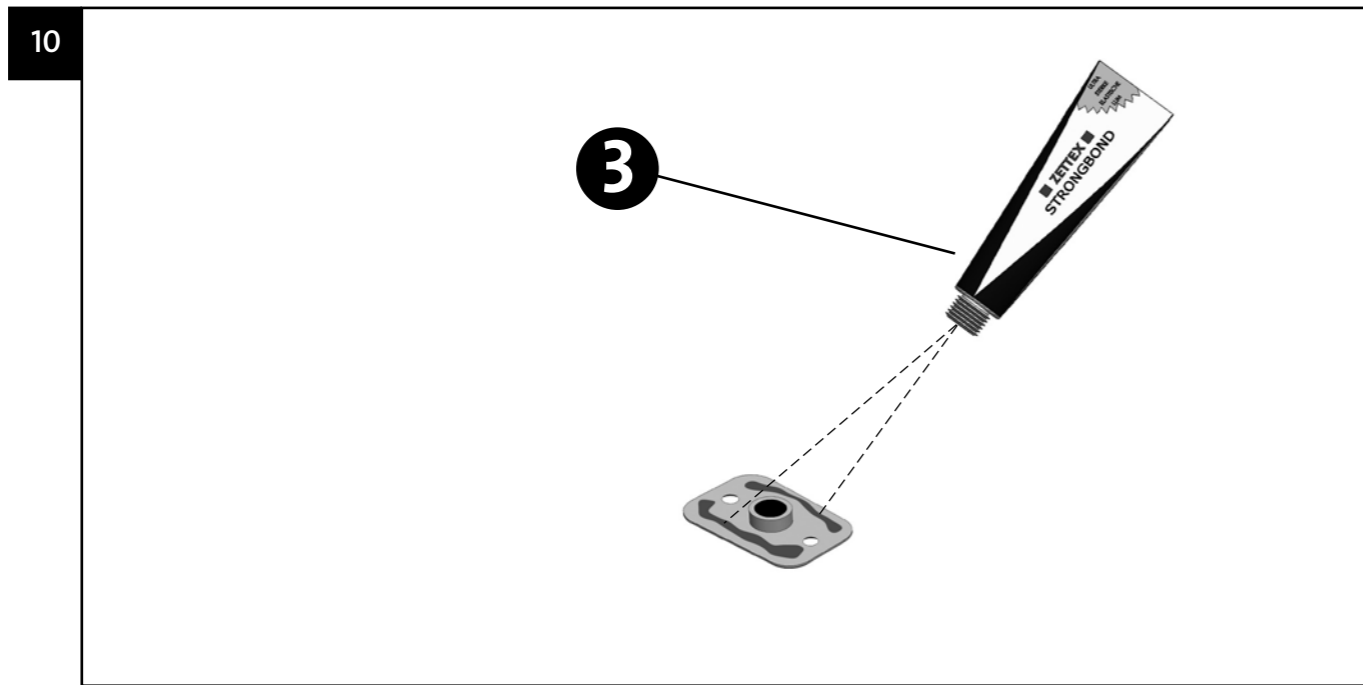


IMAGE FJ10

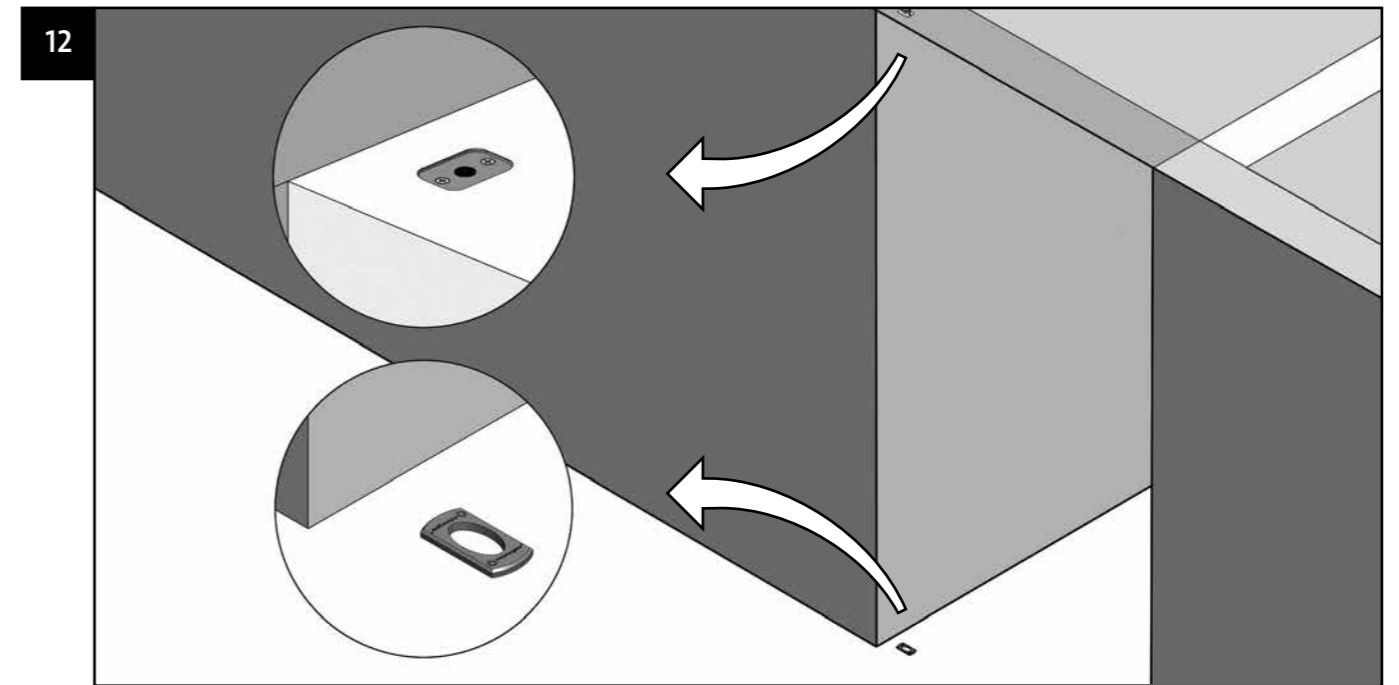


IMAGE FJ12

13

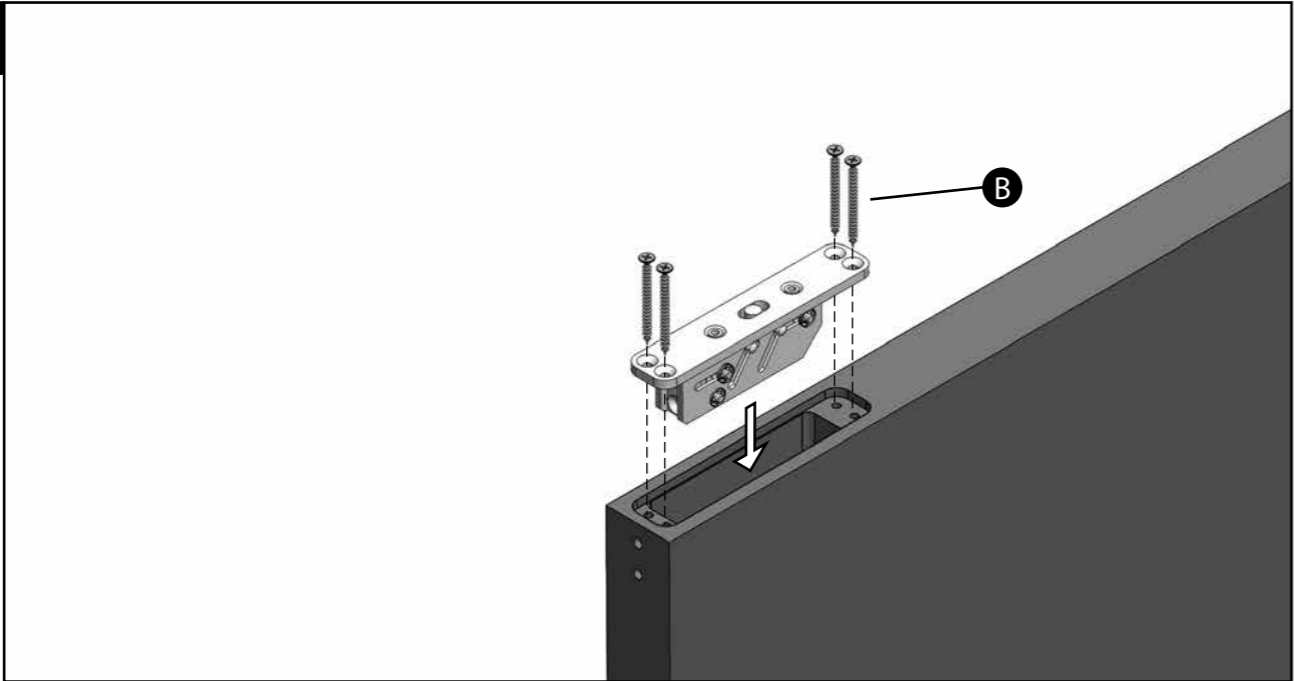


IMAGE FJ13

15

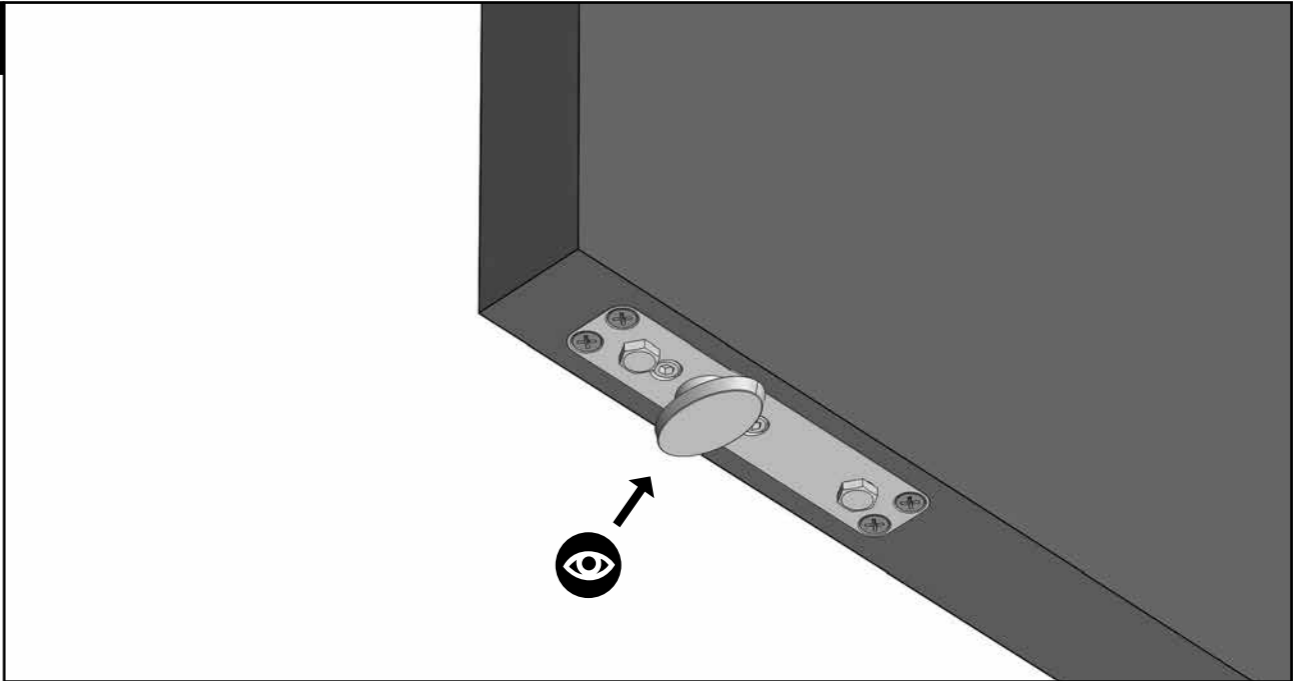


IMAGE FJ15S3

14

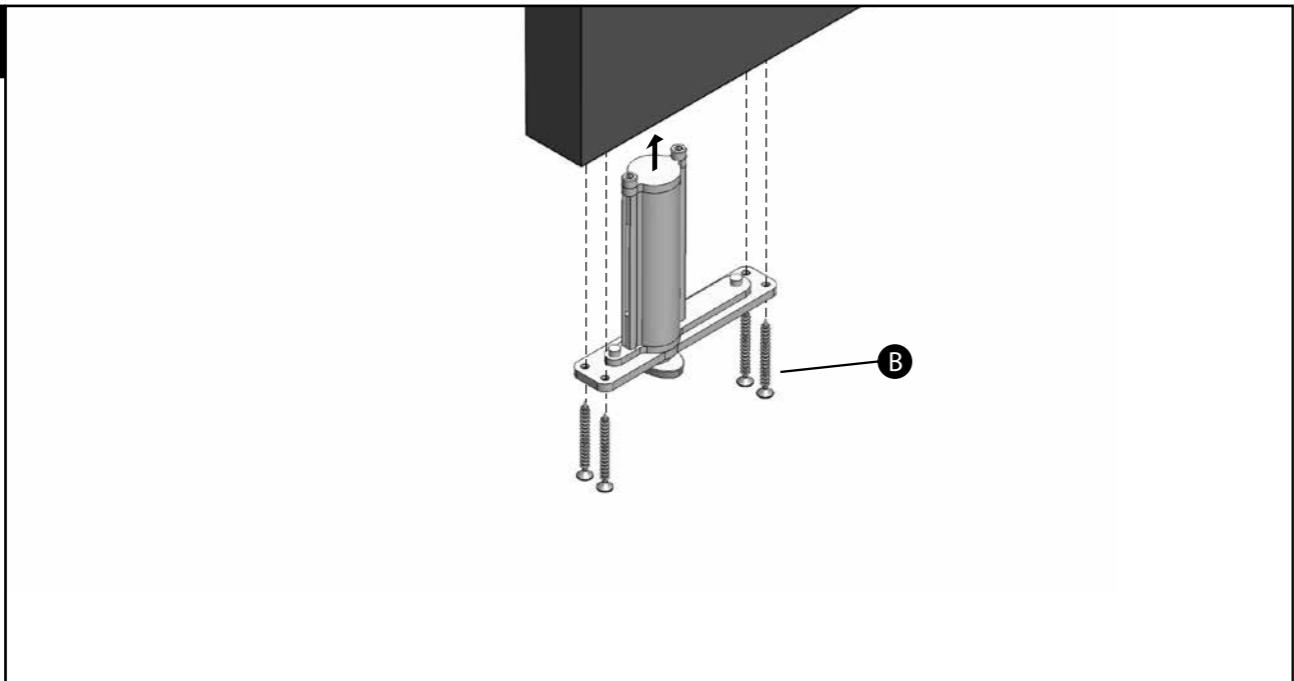


IMAGE FJ14S3

16

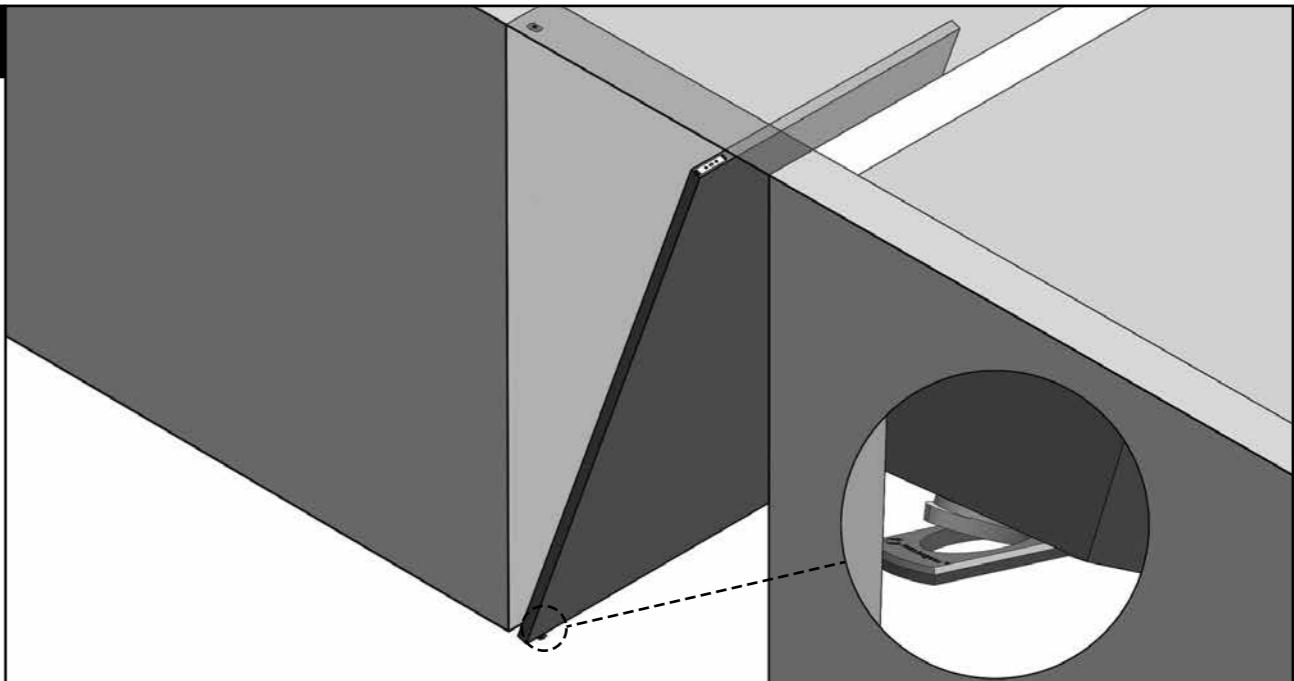


IMAGE FJ16S3

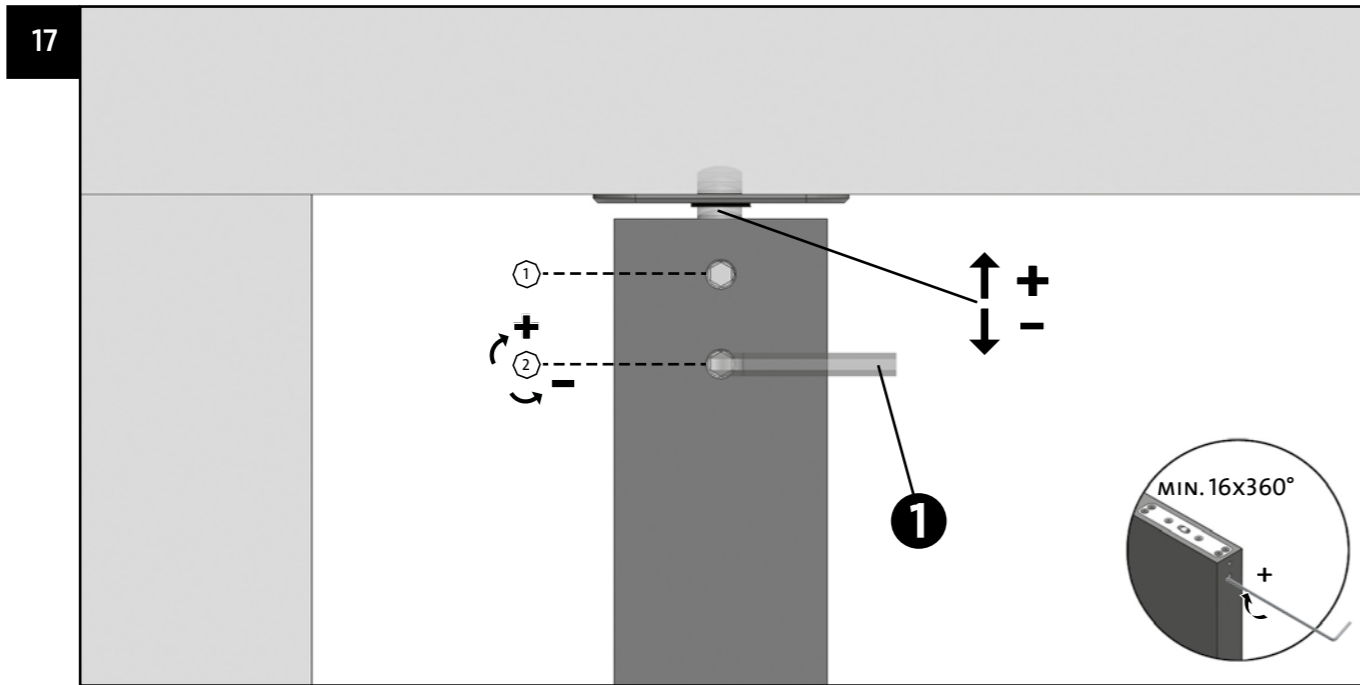


IMAGE FJ17

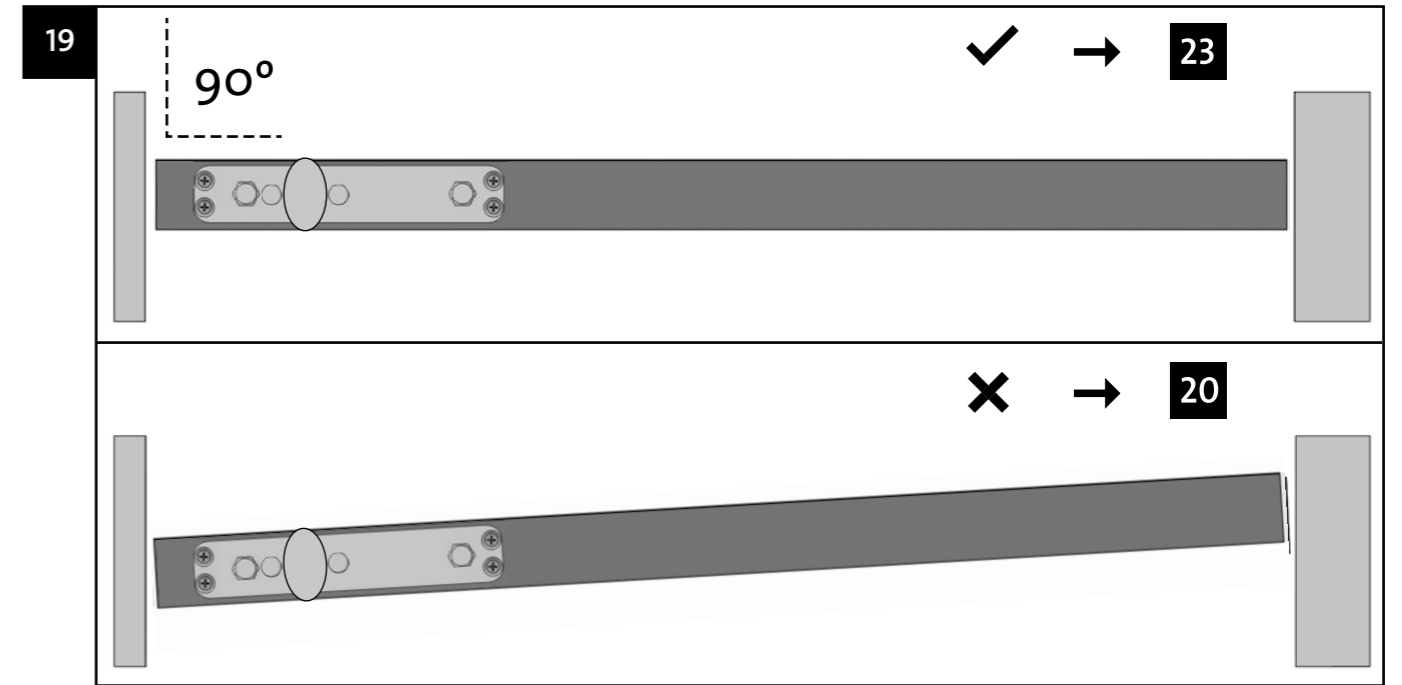


IMAGE FJ19

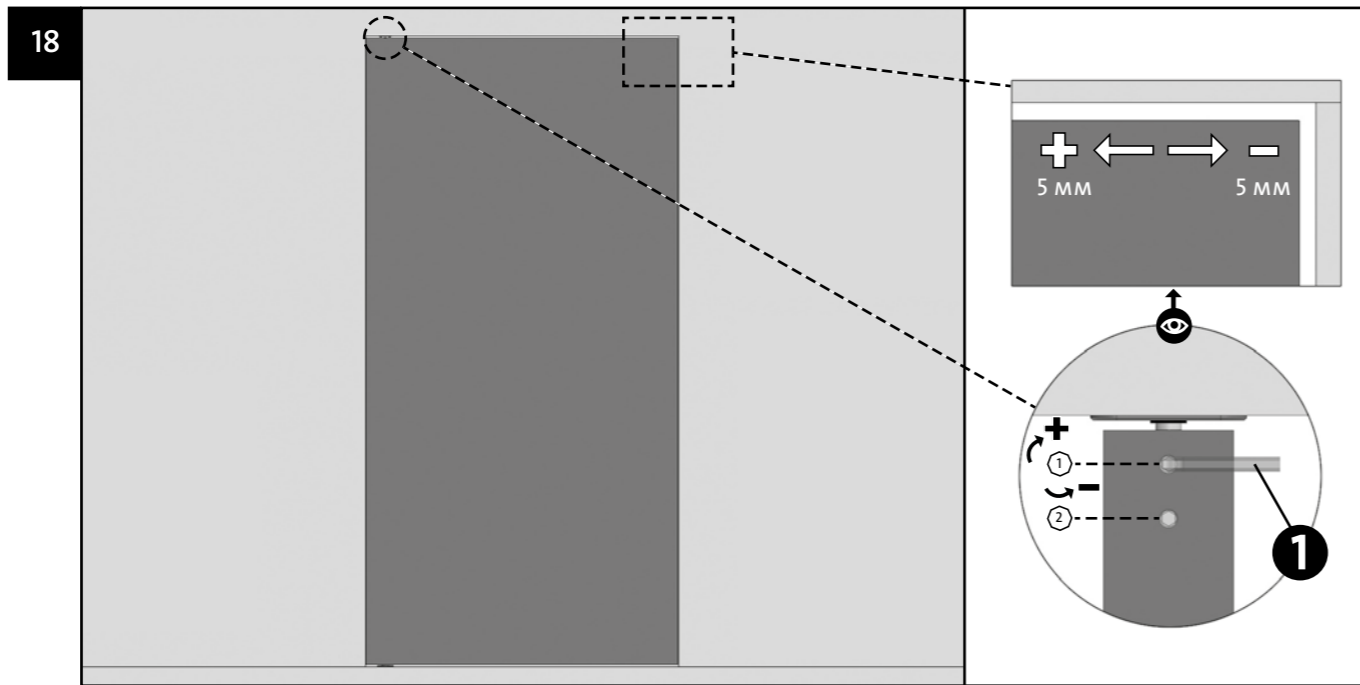


IMAGE FJ18

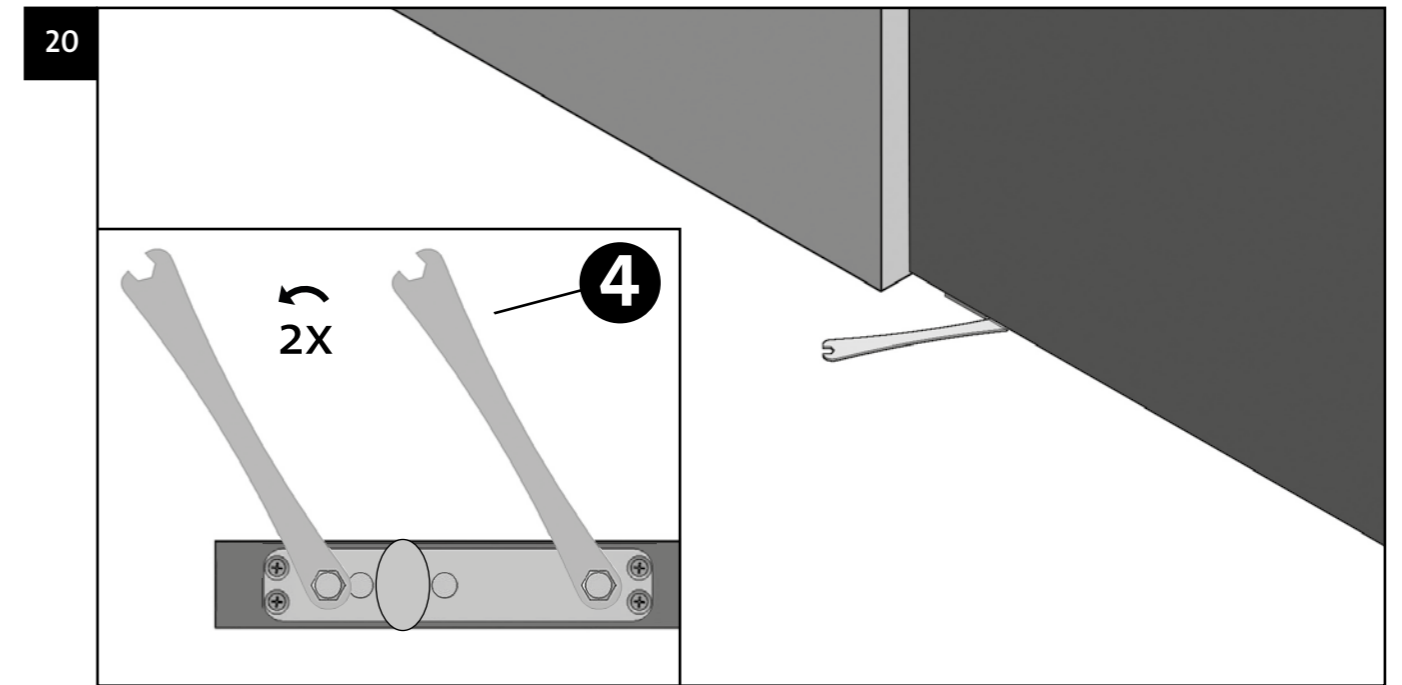


IMAGE FJ20

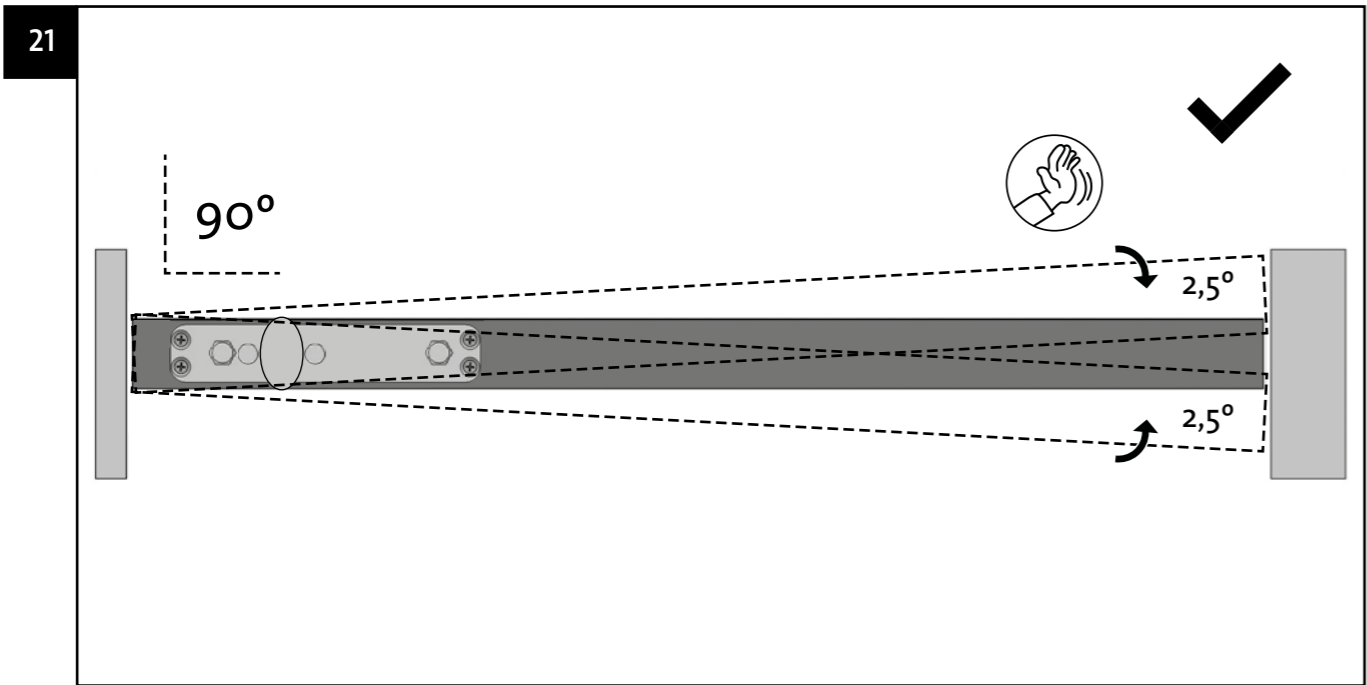


IMAGE FJ21

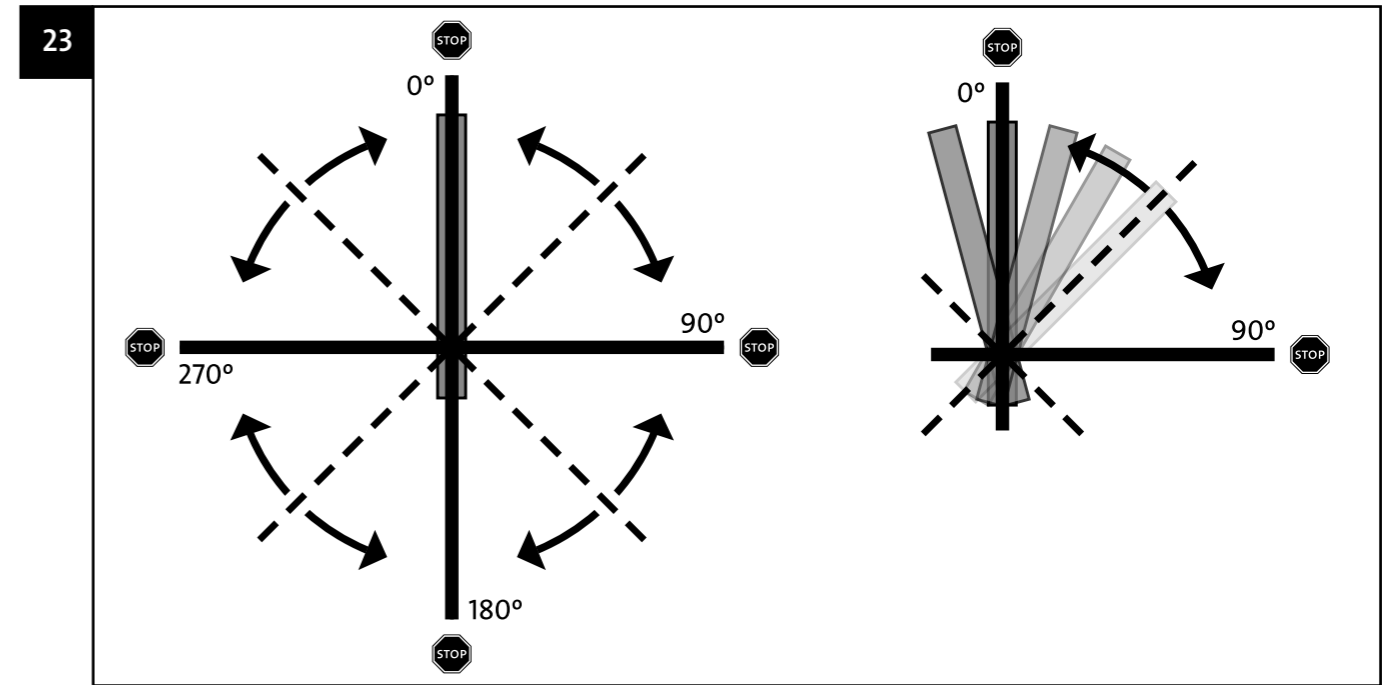


IMAGE FJ24S3

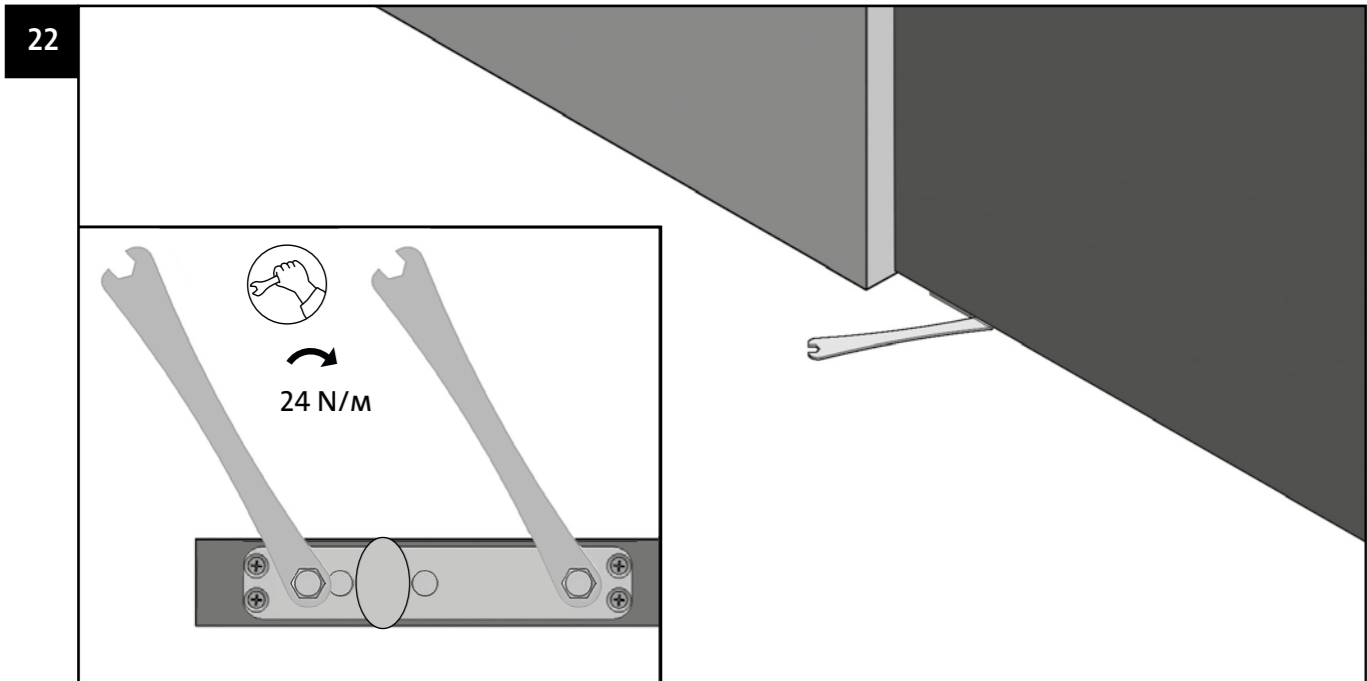


IMAGE FJ22



www.fritsjurgens.com

